



 **Genest**

- 1 Introduction
- 2 Architectural Surfaces
- 4 Architectural Colors
- 6 Customizing Products
- 8 Architectural Product Types
- 10 Material Uses and Combinations
- 12 Architectural Specifications

Architecture GENEST CONCRETE

Since 1934 we have been a family owned and operated business committed to producing quality products and service second to none. Genest is one of New England's largest manufacturers and distributors of masonry products for the building trade, including architectural use.

Surface Textures


Split Face - Mirra-Tex Plus

Pierra-Tex - Mirra-Tex


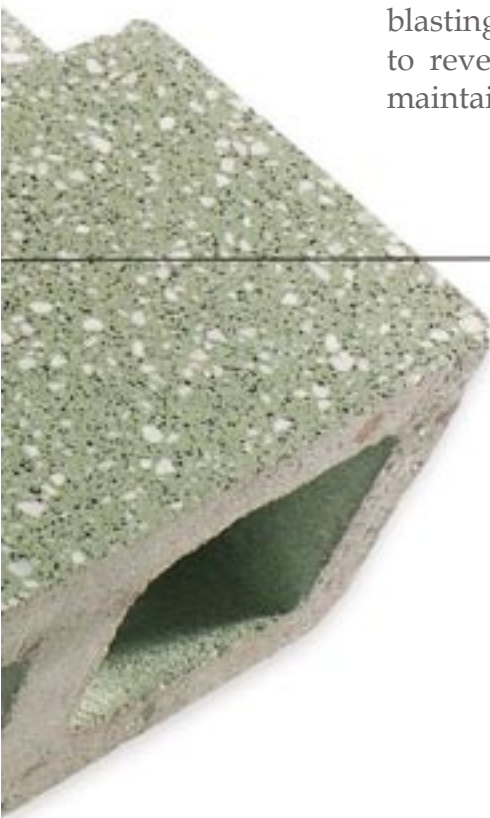


This **Split Face** surface creates an inconsistent series of shadows and highlights resulting in our most highly textured product.

A **Mirra-Tex Plus**® enhances the natural elements put into each block to put forth a surface rich with color and detail. By undertaking a process of grinding and polishing, this product produces a shiny, reflective surface similar to that of polished marble and granite.



Pierra-Tex[®] surfaces have a subtle texture created by shadows from shallow divots in the block's face. By a process similar to sand blasting, we are able to remove the surface concrete to reveal a variety of aggregates and colors while still maintaining a soft and consistent texture.



Our Mirra-Tex[®] surface translates the basic concrete block into a decorative design tool. By removing a thin layer of the block's face we uncover and expose the true color and aggregates hidden within the concrete. Resulting from this process we are able to achieve a block face filled with detail and color, finished with a smooth matt surface.

Texture plays an important role in what you see. Using split face textures in combination with ground face textures offers outstanding design flexibility with units of the same color. Other surface treatments such as polishing and sandblasting expose a different face with the same color. Combining these surfaces with contrasting colors will give you additional design versatility that today's architectural projects demand. [®]

Your Color Pallet

Twenty four colors, four textures, unlimited combinations



- | | |
|------------------|--------|
| 1. Ebony | GF-112 |
| 2. Charcoal | GF-111 |
| 3. Pewter | GF-110 |
| 4. Ruby Red | GF-306 |
| 5. Light Oak | GF-903 |
| 6. Flamingo | GF-321 |
| 7. Sky-Blue | GF-904 |
| 8. Emerald | GF-603 |
| 9. Sea Mist | GF-602 |
| 10. Granite | GF-010 |
| 11. Silver White | GF-003 |
| 12. White | GF-002 |



- | | |
|----------------|--------|
| 1. Midnight | GF-107 |
| 2. Dusk | GF-108 |
| 3. Mahogany | GF-281 |
| 4. Barn Red | GF-308 |
| 5. Cinnamon | GF-229 |
| 6. Light Brown | GF-256 |
| 7. Neutral | GF-000 |
| 8. Carmel | GF-417 |
| 9. Sunset Gold | GF-403 |
| 10. Eggshell | GF-416 |
| 11. Smoke | GF-102 |
| 12. Ocean Mist | GF-001 |

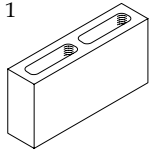
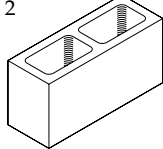
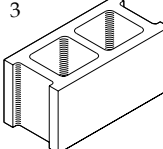
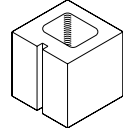
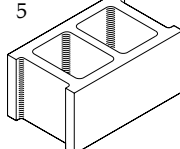
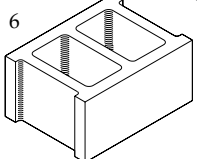
**The color photos were prepared with great concern for accuracy. It is suggested that actual samples be requested before specifying color and textures.*

**A matching or complementary mortar color is recommended when designing with Mirra-Tex[®], Mirra-Tex[®] Plus, Split Face and Pierra-Tex[®] masonry units.*

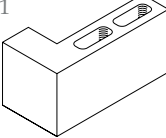
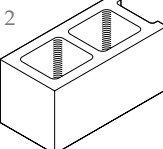
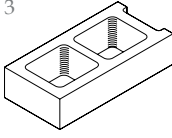
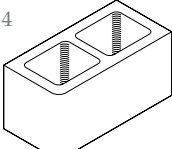
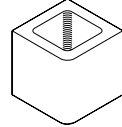
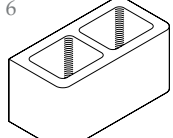
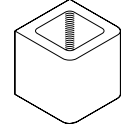
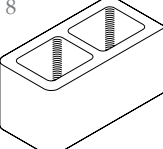
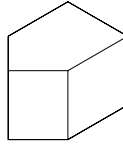
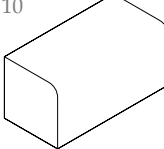
The colors from Genest Concrete have been formulated and prepared to provide architects, designers, and specifiers architectural concrete products with esthetic appeal. Our color pallet is brilliant, rich and warm but most of all versatile with 24 colors and 4 textures.

A "Color Pallet" is available for you to explore the unlimited design possibilities. It has been designed and arranged to clearly display color and texture. Please contact our architectural sales team to order your pallet of color.

Typical Block Sizes

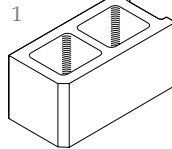
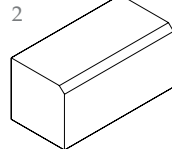
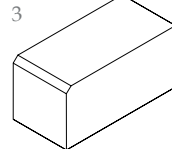
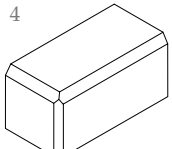
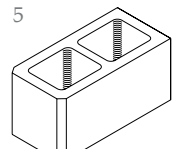
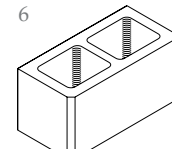
 1 Stretcher 3 5/8" x 7 5/8" x 15 5/8"	 2 Stretcher 5 5/8" x 7 5/8" x 15 5/8"	 3 Stretcher 7 5/8" x 7 5/8" x 15 5/8"	 4 Half 7 5/8" x 7 5/8" x 7 5/8"	 5 Stretcher 9 5/8" x 7 5/8" x 15 5/8"	 6 Stretcher 11 5/8" x 7 5/8" x 15 5/8"
---	---	---	---	---	--

Common Detail Shapes

 1 L-Corner 3 5/8" x 7 5/8" x 15 5/8"	 2 Corner 7 5/8" x 7 5/8" x 15 5/8"	 3 Half High Corner 7 5/8" x 3 5/8" x 15 5/8"	 4 Single Bullnose 7 5/8" x 7 5/8" x 15 5/8"	 5 Single Bullnose Half 7 5/8" x 7 5/8" x 7 5/8"	 6 Double Bullnose Face 7 5/8" x 7 5/8" x 15 5/8"
 7 Double Bullnose Half 7 5/8" x 7 5/8" x 7 5/8"	 8 Double Bullnose 7 5/8" x 7 5/8" x 15 5/8"	 9 45 Degree Outside Corner 7 5/8" x 7 5/8" x 7 5/8"	 10 16" Bullnose 7 5/8" x 7 5/8" x 15 5/8"		

Most details are shown in 8" sizes, other sizes are available. Please call us if you have a special shape in mind.

Chamfer Shapes

 1 Single Chamfer End 7 5/8" x 7 5/8" x 15 5/8"	 2 Chamfer Length 7 5/8" x 7 5/8" x 15 5/8"	 3 Single Chamfer End 7 5/8" x 3 5/8" x 15 5/8"
 4 Triple Chamfer 7 5/8" x 7 5/8" x 15 5/8"	 5 Double Chamfer End 7 5/8" x 7 5/8" x 15 5/8"	 6 Double Chamfer Face 7 5/8" x 7 5/8" x 15 5/8"



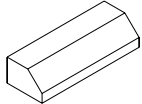
Mirra-Tex[®] 16" Bullnose

Attention to Detail

Creating versatile products to create a versatile building medium

Sill Blocks

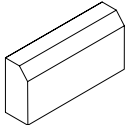
1



Sill Block

5 5/8" x 3 5/8" x 15 5/8"
Available in 6", 8", 10", 12"

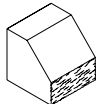
2



Sill Block

3 5/8" x 7 5/8" x 15 5/8"

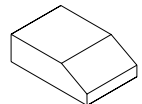
3



Split Face Sill Block

7 5/8" x 7 5/8" x 7 5/8"

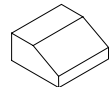
4



Sill Block

11 5/8" x 3 5/8" x 7 5/8"

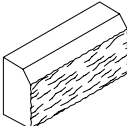
5



Splitfaced Sill Block

11 5/8" x 3 5/8" x 7 5/8"

6



Split Face Sill Block

4 1/4" x 7 5/8" x 15 5/8"

The simple beauty of exposed aggregates is sometimes not enough to complete the desired look of a designed project. Quite often, the design of a building only looks completed when special attention is paid to the finished details on sills, around doorways, around columns, or capping walls. Genest Concrete has a portfolio of customized block shapes which continues to grow with the creative minds that design with our product. We pride ourselves in our ability to help designers solve problems with customized shapes and sizes. With our own mold production shop on site and a talented staff to assist you with your ideas, we are able to produce a block that will fulfill your design ideas.



Mirra-Tex[®] L-block



Mirra-Tex[®] Sill Block

Product Types

Creating Products to fill your needs



SPLIT-RIBBED BLOCK Create a contemporary look to any building design. Split-Ribbed blocks offer a face with either four or eight individual split units which, when installed, provide a very distinctive look. It's texture adds both beauty and depth to a provide variety of interior and exterior designs. Set them



against smooth, ground face or split face blocks for a dynamic striking contrast in building designs.

SHADOW STONE Create a uniquely exciting dimensional effect to conventional block buildings with Shadow Stone. Each block is split on three separate planes creating a series of striking shadow patterns throughout the day. The finished wall has an appearance more like stone than conventional splits.



SOUND BLOCK Attractive, economical and efficient sound absorbing masonry blocks. Sound block is your solution to noise control problems in masonry construction. They are excellent for use in industrial buildings, school gymnasiums or wherever you need to reduce the amount of noise. Many appearances are available, including color, ground face, and scoring.



DESIGNER STONE The natural beauty of Designer Stone provides an alternative to brick, natural stone, and simulated stone products. The three different sizes of blocks and blended colors produces dynamic design results. The beauty of stone will be yours when you choose Designer Stone.



SCORED BLOCKS Scored blocks offer the appearance of smaller blocks with the workability of a traditional size unit. From one single score to several, a scored block adds further variety and possibility from concrete blocks.

You can contact our architectural sales team for product samples and block specifications.



Design Variations



The beauty of incorporating concrete masonry units into a building design is its versatility. Concrete blocks allow for a multitude of color and texture variations. They also allow for flexibility in design which you may have not considered. Concrete blocks can help to accent and strengthen textural qualities of other materials such as steel, clay bricks, natural stone, and wood. Concrete blocks can give a structural anchor to a building and really complete a design. Whether you are looking to refine your design or give it a more rustic appearance, concrete blocks offer the diversity to complete the task.



Architectural Masonry Unit Specifications

Part 1

SUBMITTAL Submit color samples for selection from manufacture's standard colors and textures. Submit product literature, certification and test report.

APPLICABLE STANDARDS All architectural masonry units shall be manufactured by Genest Concrete Works, Inc. and meet all appropriate, applicable standards.

AS® C 90 Load Bearing Masonry Units
AS® C 33 Specification for Concrete Aggregate
AS® C 140 Sampling and Testing for Concrete Masonry Units
AS® C 331 Lightweight Aggregates for Concrete Masonry Units
AS® E 514 Water Penetration and Leakage Through Masonry

DELIVER, PROTECTION, & STORAGE Genest Concrete Architectural Masonry Units shall be delivered to the job site on banded or stretch wrapped wooden pallets. Mirra-Tex[®], Mirra-Tex[®] Plus, and Pierra-Tex[®] units shall be covered with plastic and have protective barriers between the finished faces. Store material on level ground and avoid double stacking. Handle blocks carefully to avoid damage to the finished surface. Pallets should be covered onsite during inclement weather. Pallets should be covered onsite during inclement weather. Cover walls each day after installation to protect and keep dry.

Part 2

PRODUCT NAME(S) Genest Concrete Architectural Masonry Units

Mirra-Tex[®] - Ground Face
Mirra-Tex[®] Plus - Ground Face Polished
Pierra-Tex[®] - Shot Blasted
Split Face, Split Rib, Designer Stone, Shadow Stone

MANUFACTURER Genest Concrete Architectural Masonry Units are to be manufactured exclusively by:
Genest Concrete Works, Inc.
PO Box 151, Wilson Street
Sanford, Me 04073
(207)324-3250

SIZES AND SHAPES Architectural Masonry Units are load bearing and available in various shapes and sizes in widths of 4", 6", 8", 10", and 12" cored units. Various sill block and custom shapes are available upon request.

WATER REPELLANCY Genest Concrete Architectural Masonry Units can be manufactured with an integral water repellent and meet or exceed ATSM E-514 specifications. External masonry sealers and water repellents are also available and can be factory applied at time of manufacturing or after final installation.

Part 3

EXECUTION Comply with manufacturer's product data. To include product technical bulletins and product installer instructions.

INSTALLATION Design and construct in accordance with applicable building and design codes. Laying of the units shall be plumb, level and true, as consistent with the best masonry practices. Always use precaution in handling units as so not to damage faces or chip corners and edges. Draw blocks from more than one pallet during installation.

INSPECTION Finish and appearance. The architectural masonry units shall be sound and free of cracks or other defects that could interfere with proper placing of the unit or significantly impair the strength or performance of construction.

Minor cracks incidental to the usual method of manufacturing, or minor chipping resulting from customary methods of handling and delivery are not deemed grounds for rejection. Architectural masonry units are manufactured from natural aggregates that will vary in size and color. Some variation in color, surface texture, and aggregate exposure is to be expected.

FLASHING/WEEPS Install flashing and weeps at locations shown in specifications. Pay close attention to details utilizing the best masonry flashing practices.

REINFORCING AND CONTROL JOINTS Comply with procedures for cracking and wall movement. See current NCMA TEK bulletins 10-1, 10-2.

CLEANING Acid or acid base cleaners or abrasives are strictly prohibited. Keep walls clean during construction. Do not allow mortar smears to set on the finished block surface. Clean walls with an industrial detergent cleaner following manufacturer's recommendation. Maximum pressure washing should not exceed 50 p.s.i.

MAINTENANCE Genest Concrete Architectural Masonry Units properly installed and cleaned after construction, should require little or no maintenance.

Sales representatives are available to assist you with all your questions.

Call 1-800-649-4773, email at sales@genest-concrete.com, or visit our web site at GenestArchitecture.com.



36 Wilson Street
P.O. Box 151
Sanford, Maine 04073

(207) 324-3250
1-800-649-4773
Fax: (207) 490-5076
GenestArchitecture.com